

MV-SC2005AM

0.5 MP AGV Navigation Sensor



Introduction

With built-in code reading algorithm, MV-SC2005AM AGV navigation sensor can read DM-12 and DM-14 symbologies, and its max. reading speed reaches 100 codes/sec. It has good robustness and can effectively read codes with spots, defects and low contrast ratio.

Applicable Industry

AGV navigation

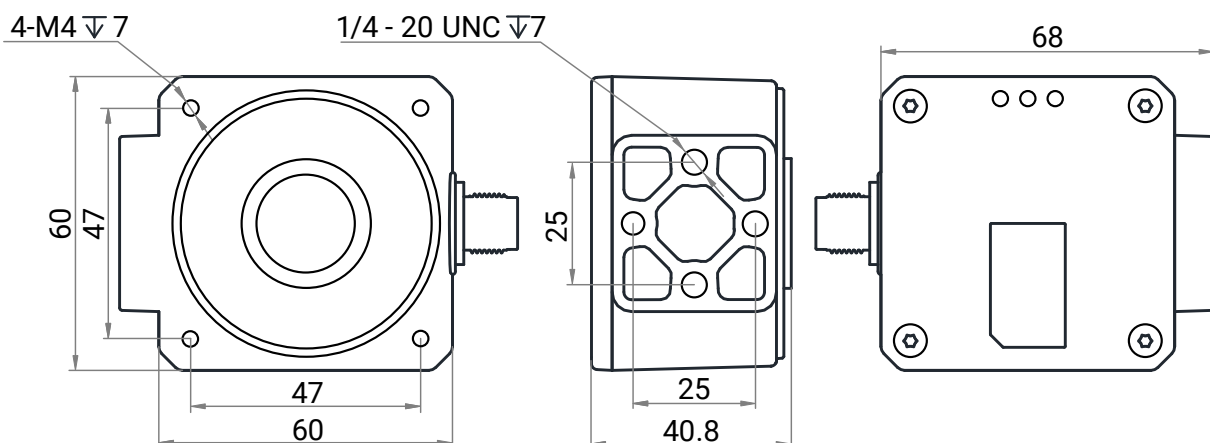
Available Model

MV-SC2005AM-02WBN

Dimension

Key Feature

- Built-in code reading algorithm to read DM codes.
- Provides good robustness to read codes with spots, defects and low contrast ratio.
- Adopts CMOS sensor to provide high-quality images.
- Adopts multiple indicators for displaying status and debugging.
- Adopts M12 lens and supports large field of view.
- Better optical design to provide uniform illumination and applicable to strong reflection.



Unit: mm

Specification

Model	MV-SC2005AM-02WBN
Performance	
Symbologies	2-dimensional codes: DM-12, DM-14
Max. frame rate	100 fps
Max. reading speed	100 codes/sec
Max. running speed	3 m/sec (it is the AGV's max. running speed)
Sensor type	CMOS, global shutter
Pixel size	4.8 μm \times 4.8 μm
Sensor size	1/3.6"
Resolution	800 \times 600
Exposure time	20 μs to 9000 μs
Gain	1 dB to 330 dB
Mono/color	Mono
Communication protocol	SmartSDK, UDP, Serial
Electrical feature	
Data interface	Fast Ethernet (100 Mbit/sec), RS-485
Digital I/O	12-pin M12 connector provides power supply and RS-485 \times 1
Power supply	24 VDC
Max. power consumption	18 W@24 VDC (self light source enabled) 3 W@24 VDC (self light source disabled)
Mechanical	
Focal length	2.5 mm
Working distance	100 mm \pm 5 mm
Displacement accuracy	0.1 mm
Angle accuracy	0.1°
Field of view	93.8°
Field of view (range)	170 mm \times 130 mm (it is the field of view under 100 mm \pm 5 mm working distance. If the working distance changes, the field of view will vary too.)
Dimension	68 mm \times 60 mm \times 40.8 mm (2.7" \times 2.4" \times 1.6")
Weight	Approx. 200 g (0.4 lb.)
Ingress protection	IP65 (with proper installation of waterproof lens cap)
Temperature	Working temperature: 0 °C to 50 °C (32 °F to 122 °F) Storage temperature: -30 °C to 70 °C (-22 °F to 158 °F)
Humidity	10% to 90% RH, non-condensing
General	
Client software	IDMVS
Certification	CE, RoHS